

HCO-6020R

1080p Analog HD IR Bullet Camera

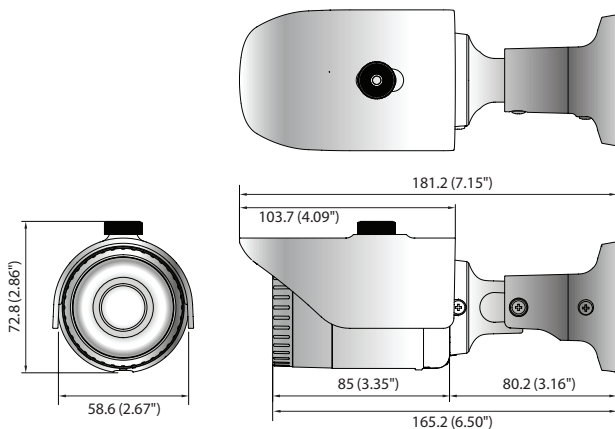


Key Features

- Full HD (1920 x1080) resolution
- 0.17Lux@F1.6 (Color), 0Lux (B/W, IR LED on)
- Built-in 4.0mm fixed lens
- Day & Night (ICR), WDR (120dB)
- Motion detection, Privacy masking
- IR viewable length 98.43ft (30m)
- Transmission distance maximum 1640ft (500m), IP66

Dimensions

Unit : mm (inch)



HCO-6020R

HCO-6020R	
VIDEO	
Imaging Device	1/2.8" 2 MP CMOS
Effective Pixels	1945(H)x1097(V)
Resolution	1920 x 1080
Maximum Framerate	30fps@1080p
Minimum Illumination	Color : 0.17Lux (F1.6, 1/30sec) / B/W : 0Lux(IR LED on)
Video Out	BNC (AHD / TVI / CVI / CVBS Selectable)
LENS	
Focal Length (Zoom Ratio)	4mm fixed focal
Maximum Aperture Ratio	F1.6
Angular Field of View	H : 87.6° / V : 46.4° / D : 104.5°
Minimum Object Distance	1.64ft (0.5m)
Focus Control	Manual
OPERATIONAL	
IR Viewable Length	98.43ft (30m)
Camera Title	Displayed up to 15 characters
Day & Night	Auto(ICR)
Backlight Compensation	BLC, HLC, WDR
Wide Dynamic Range	120dB
Digital Noise Reduction	SSNR IV
Defog	Support
Motion Detection	4ea
Privacy Masking	8ea, rectangular zones
Gain Control	Low / Middle / High / Very High
White Balance	ATW / AWC / Manual / Indoor / Outdoor
Electronic Shutter Speed	1 ~ 1/12,000sec
Video Rotation	H-Rev / V-Rev
Analytics	Motion detection
Coaxial Protocol	ACP(AHD Coax Protocol), TCP(TVI Coax Protocol), CCP(CVI Coax Protocol) CVBS : Pelco-C(Coaxitron)
Video Transmission Distance	1640ft (500m) (5C2V Coaxial Cable)
ENVIRONMENTAL	
Operating Temperature / Humidity	-30°C ~ +55°C(-22°F ~ +131°F) / Less than 90% RH
Certification	IP66
ELECTRICAL	
Input Voltage	12VDC
Power Consumption	Maximum 5.4W
MECHANICAL	
Color / Material	Dark Gray / Plastic
Product dimension / weight	∅58.6 x 165.2mm(2.31 x 6.50"), 279g(0.62 lb)

* The latest product information / specification can be found at hanwhasecurity.com
 * Design and specifications are subject to change without notice.
 * Wisenet is the proprietary brand of **Hanwha Techwin**.